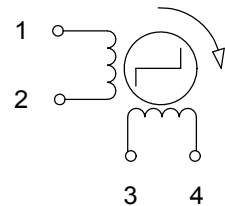
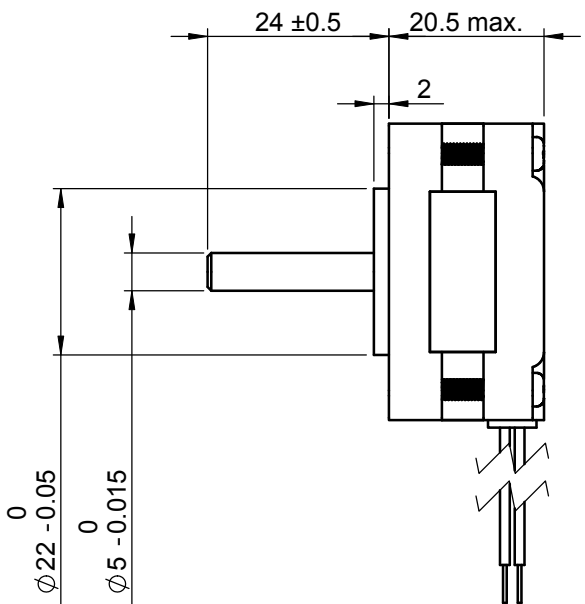


(此線徑為 UL1007 AWG28)



CONNECTOR PIN LOCATION					
PIN	COLOR	CCW ← → CW			
1	BLACK	+	-	-	+
2	GREEN	-	+	+	-
3	RED	+	+	-	-
4	BLUE	-	-	+	+

THIRD ANGLE PROJECTION ALL DIMENSION ARE IN MM (UNLESS OTHERWISE SPECIFIED)		製圖 設計 審核 材料 繪製比例: 1:1	JOANNE 2011/10/12	Cheshire Electric Company, LLC Part No JH39-B0G1A740 Name HB stepper motor		REV. NO. A
--------------------------------------------------------------------------------	--	-----------------------------------	--------------------------	----------------------------------------------------------------------------------------	--	---------------

MODEL		Motor Characteristics					
JH39-B0G1A740		Resistance	Step Angle	Steps Revolution	Max PIT Rate	Max POT Rate	POT(at400pps)
Constant current	24V 0.4A	6.6Ω	1.8 °	200	1000PPS	4000PPS	540g-cm